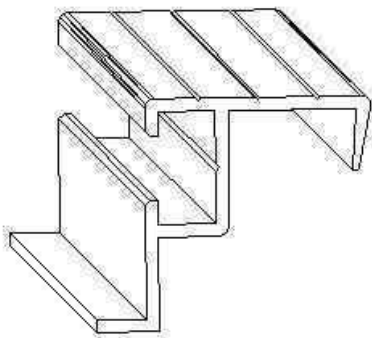


Design

(19) Registration office code	EM
Design number	000832670-0005
(21) Application number	000832670
(25) Application language code	en
Second language code	fr
(22) Application date	27-11-2007
(43)/(44) Application published	
Application reference	D4372EM
(11) Registration number	
(15) Registration date	27-11-2007
Publication date	09-01-2008
Design description	No
(46) End of deferment	
(18) Expiry date	27-11-2017
Effective date	27-11-2007
Design current status code	Registered and fully published
Design current status date	29-05-2013
Comment	
(82) Statements contained in the application	

(55) Representation (views of design)



Indication of the product and classification

Language code	(54) Indication product
bg	Профили
bg	Профили за врати
cs	Profily
cs	Dveřní profily
da	Profiler
da	Profiler til døre
de	Profile
de	Profile für Türen
el	Κατατομές για θύρες
el	Κατατομές
en	Profiles for doors
en	Profiles
es	Perfiles
es	Perfiles para puertas
et	Profiliid
et	Ukseprofiliid
fi	Profilit
fi	Oviprofililit
fr	Profils
fr	Profils de portes
hu	Profilok
hu	Ajtóprofilok
it	Profili per porte
it	Profilati
lt	Profiliai
lt	Durų profiliai
lv	Profili
lv	Durvju profili

Language code	⁽⁵⁴⁾ Indication product
mt	Profili
mt	Profili għal bibien
nl	Profielen
nl	Profielen voor deuren
pl	Profile do drzwi
pl	Profile
pt	Perfis
pt	Perfis para portas
ro	Profile pentru uși
ro	Profiluri
sk	Dverové profily
sk	Profily
sl	Profili za vrata
sl	Profili
sv	Profiler
sv	Profiler för dörrar
-	-
⁽⁵¹⁾ Locarno classification	25.01,25.02

⁽⁷¹⁾/⁽⁷³⁾/⁽⁷⁸⁾ **Owner**

Applicant Identifier	316255
Organization name	ASTAS CELIK KAPI SANAYI VE TICARET ANONIM SIRKETI
Applicant legal entity	Legal Entity
Applicant nationality code	TR
Country code	TR
Street	Organize Sanayi Bölgesi 2 cadde 2/10 sokak No. 31
City	Umurlu-Aydin

⁽⁷⁴⁾ **Representative**

Representative identifier	17716
---------------------------	-------

Last name	CABINET CHAILLOT
Representative nationality code	FR
Country code	FR
Street	16-20, avenue de L'Agent Sarre
City	Colombes Cedex
Postcode	92703
Phone	00 33-141192777
Fax	00 33-147858449
Email	cabinet@chailot.com

⁽⁷²⁾ **Designer**

Designer identifier	Designer name
47984	Yalcin Pekgüzel

⁽⁷⁵⁰⁾ **Correspondence address**

No entry for the design number EM700000000832670-0005

⁽²³⁾ **Exhibition priority**

No entry for the design number EM700000000832670-0005

⁽³⁰⁾ **Priority**

No entry for the design number EM700000000832670-0005

Publication

Publication identifier	Publication section	Publication date
2008/003	A.1	09-01-2008
2013/101	C.1	31-05-2013
2013/103	B.2.2	04-06-2013

Recordals

Basic record kind	Change Names Addresses of Owners
Record identifier	006998268
Record current status code	Record Published
Record current status date	04-06-2013

Renewals

Basic record kind	Renewal Registration
Record identifier	005768183
Record current status code	Record Published
Record current status date	31-05-2013